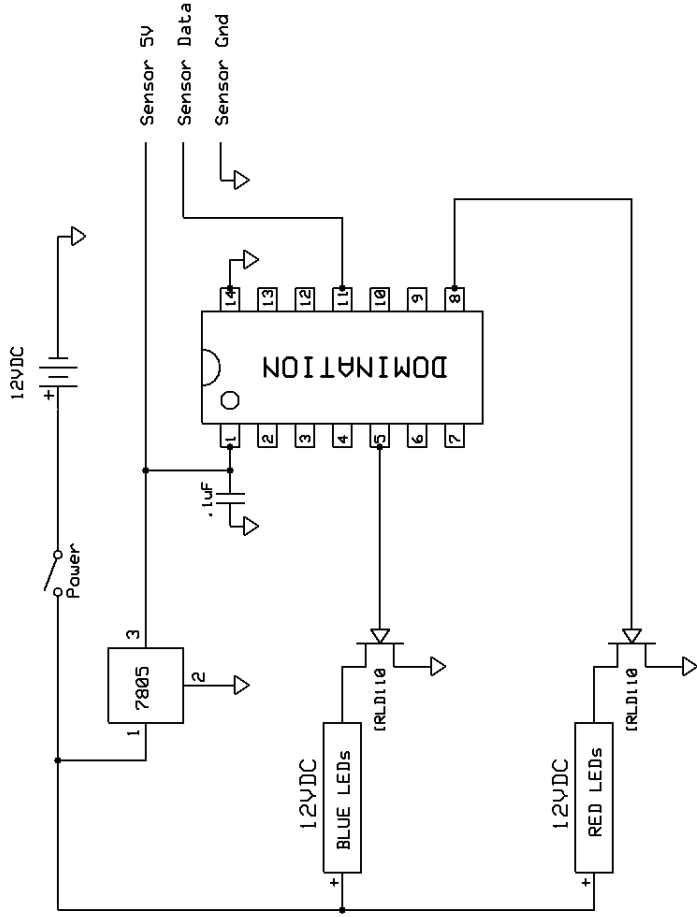


INSTRUCTIONS:

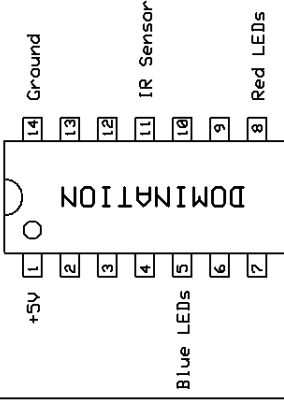
1. Turn On Power Switch.
2. Lights flash ON then OFF.
3. Timer is in Standby.
4. Shoot sensor to START timer.
5. Steady Lights (Red/Blue) indicate Controlling Team.
6. Flashing Light (Red/Blue) indicates Winner.



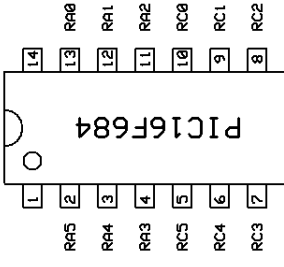
RED/BLUE LED Lights = Use "WFLS"-series LED Light Strips from www.SuperBrightLEDs.com

These strips operate on 12VDC, can be cut to length, waterproof with adhesive backing.

REFERENCE



REFERENCE



Microchip Part # PIC16F684-I/P
 FIRMWARE: Dom_Tube_#.hex

OSC = INTOSC10
 PWRT = Enabled
 MCLR = Input Pin
 WDT = Enabled

Combat TAG, LLC

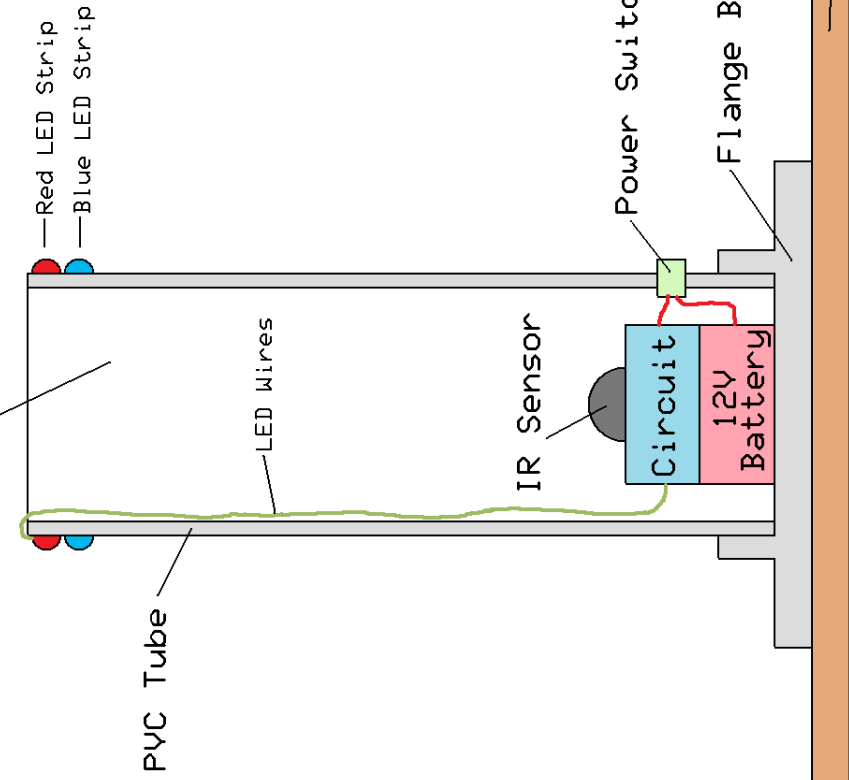
MilestTag Domination Tube

J. Robertson

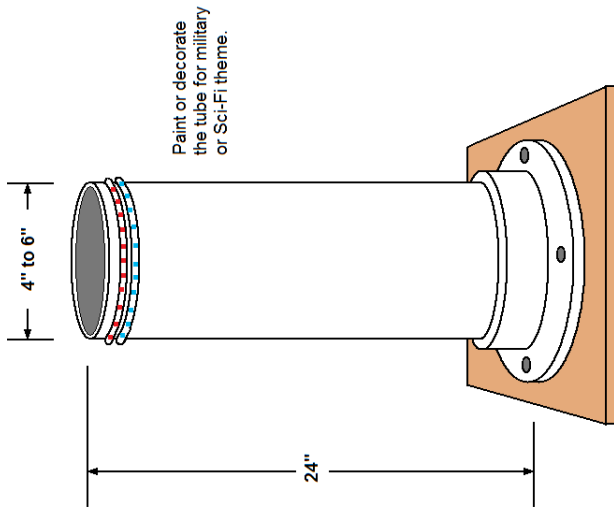
Rev 4

1/30/2010

Paint inside of tube
Flat Black



Cutaway View



Combat TAG, LLC

MilestTag Domination Tube

J. Robertson

Rev 4

1/30/2010