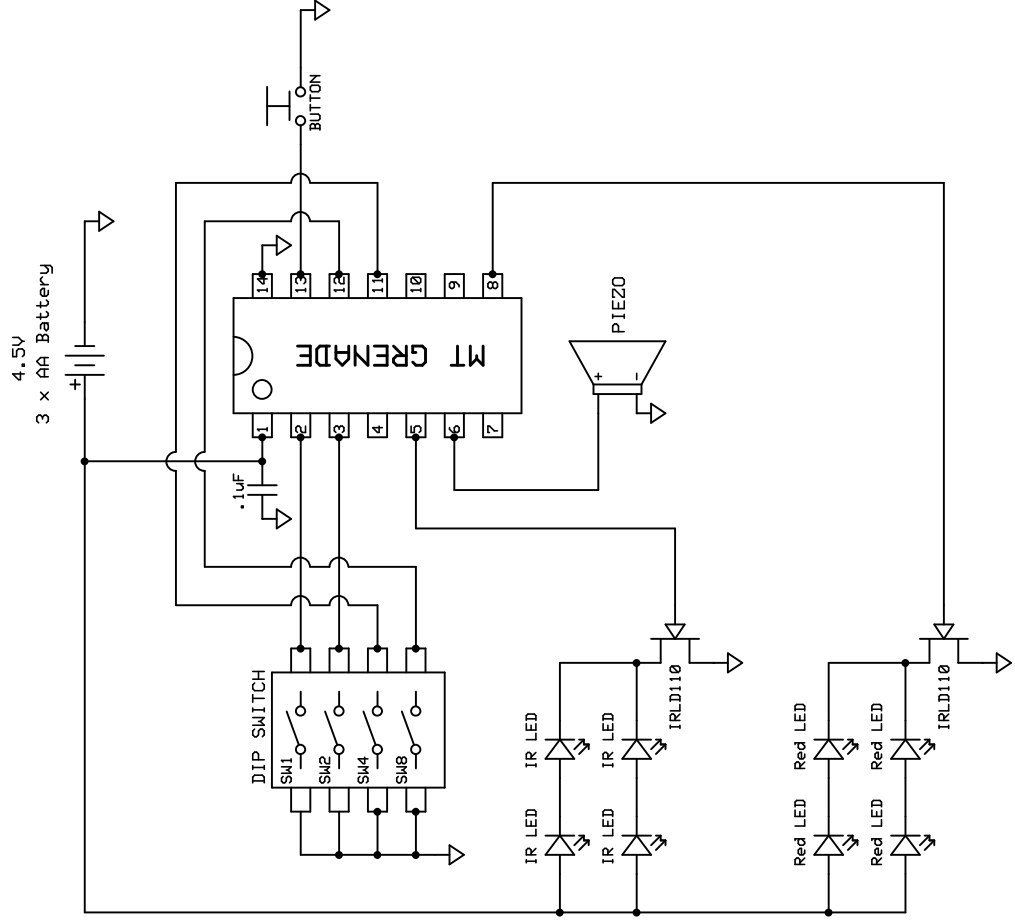
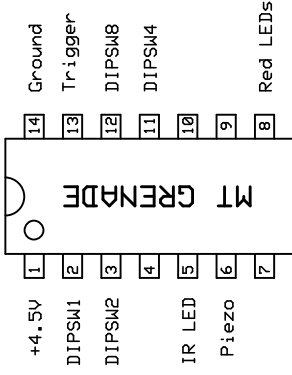


**INSTRUCTIONS:**

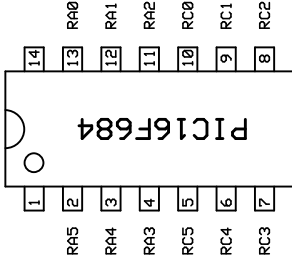
1. Hold **BUTTON** for 3 seconds to **ARM**.
2. Release **BUTTON** to start countdown.
3. Toss Grenade, take cover.
4. Press **BUTTON** to stop **LOCATOR**.
5. Wait 20 seconds for Auto-Reset



**REFERENCE**



**REFERENCE**



Microchhip Part # PIC16F684-I/P  
 FIRMWARE: MT\_Grenade\_#.hex  
 OSC = INTOSC10  
 PWRT = Enabled  
 MCLR = Input Pin  
 WDT = Enabled

SW4	SW2	SW1
OFF	OFF	OFF
OFF	OFF	ON
OFF	ON	OFF
OFF	ON	ON
ON	OFF	OFF
ON	OFF	ON
ON	ON	OFF
ON	ON	ON

SW8: OFF=56KHz ON=40KHz

**Combat TAG, LLC**  
**MiIesTag Grenade**

J. Robertson  
 Rev 5  
 4 Sep 2009